



## CAT.6 F/UTP 23AWG Solid Path Cord

### Product Specifications

## Product Structure:

- \*Conductive body: Oxygen-free copper multistrand 8 core
- \*Boot: Injection Moulding or Clear
- \*Connection: High performance crystal head
- \*Support the configuration of T568A (ISDN) and T568B (ALT) pins
- \*The surface of the crystal head is plated with gold, ensuring excellent contact and signal transmission performance;
- \*Completed with ANSI/TIA/EIA -568-C.2, ISO11801

## Overview:

- \*Bandwidth:250MHZ
- \*OD:7.2±0.2mm
- \*Conductor:23AWG
- \*Approvals:RoHS
- \*Connector:FU"/3U"/15"/50U" gold plated RJ45 connector

## Physical Characteristics:

- \*Cable Type:Cat.6 F/UTP
- \*Connector Type(s):RJ45
- \*Wiring Scheme:T568A or T568B
- \*Temperature Rating:-20°C to +75°C
- \*Voltage Rating:30V

## Conductor(Qty.4 twisted pair):

- \*Conductor Type:23AWG(1x0.57),Solid Bare Copper
- \*Insulation:HD-PE
- \*Diameter:0.945/0.975±0.05mm
- \*Pair Identification:  
Pair1:Orange,Orange-White  
Pair2:Blue,Blue-White  
Pair3:Green,Green-White  
Pair4:Brown,Brown-White

## Conductor(Qty.2):

- \*Conductor Type:8P8C(RJ45)
- \*Gender:Male
- \*Connector Material:PC
- \*Contact Material:Copper Alloy,Gold Plating
- \*Hood Material:Molded PVC or Clear

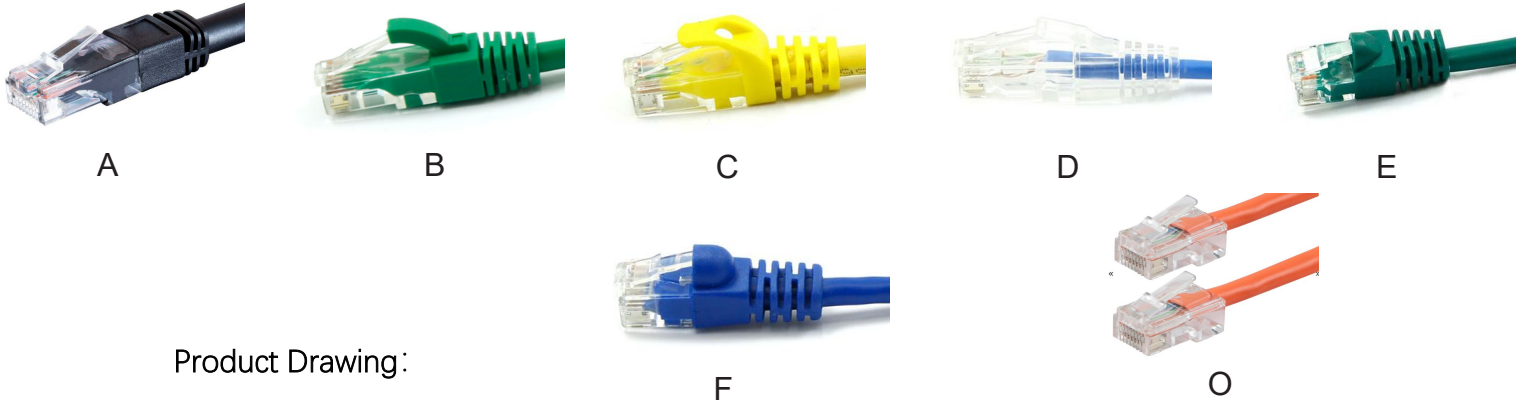
## Overall Cable:

- \*Jacket:PVC/LSZH
- \*Minimum Average Thickness:0.58mm
- \*Outer Diameter:7.2±0.2mm

## Electrical Characteristics:

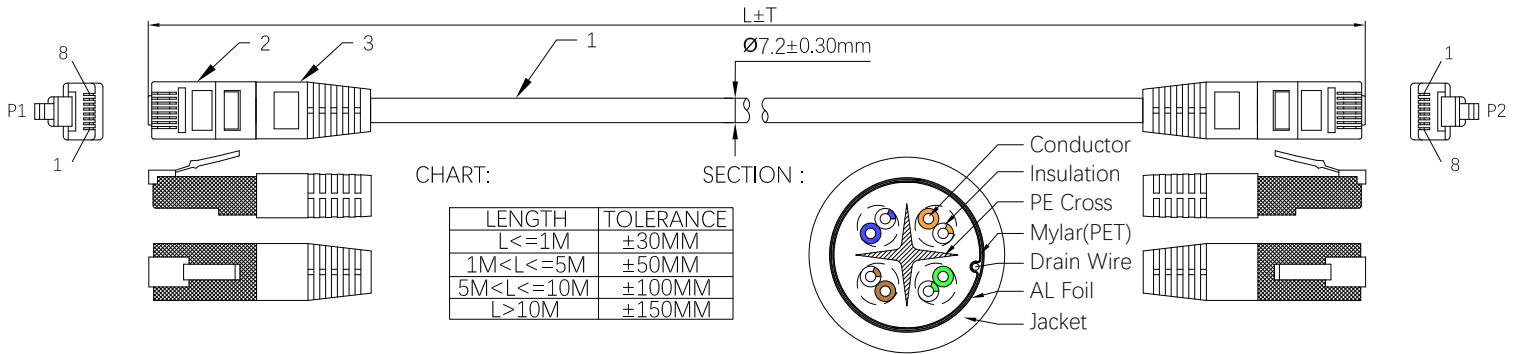
- \*Conductor DC Resistance:24.2Ω/100m(maximum)
- \*Impedance:100Ω
- \*Capacitance:5600pf/100m
- \*Propagation Delay:545ns/100m(maximum)
- \*Delay Skew:45ns/100m(maximum)

Boot types:

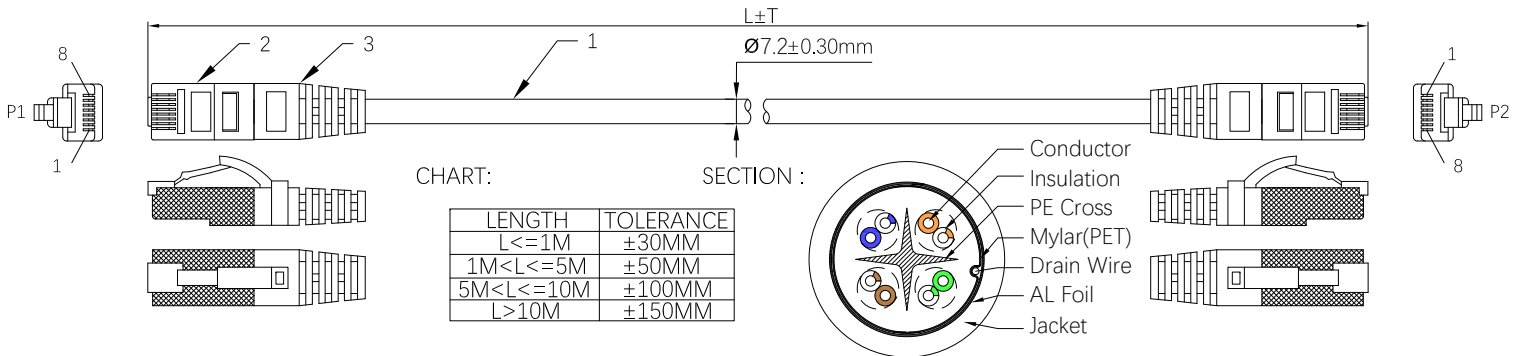


Product Drawing:

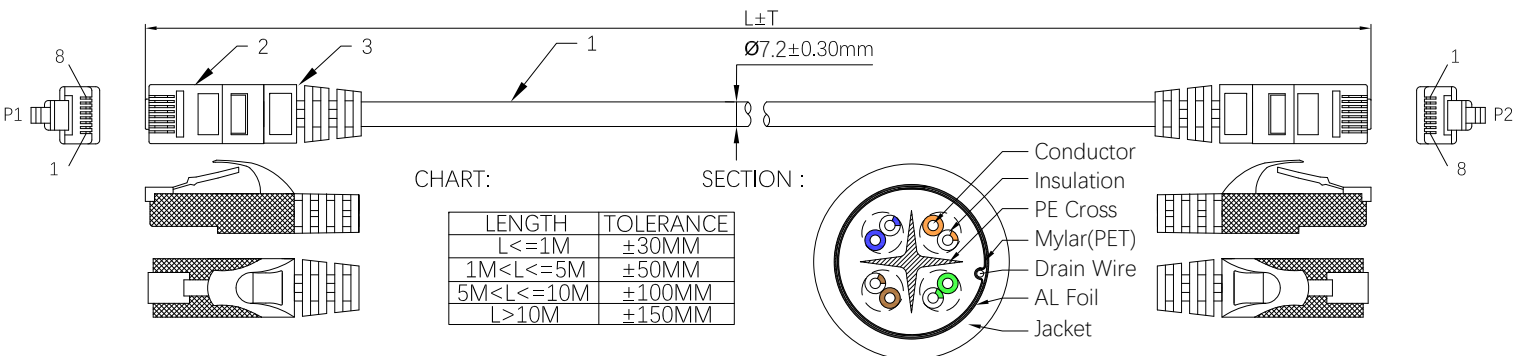
Boot Type A:



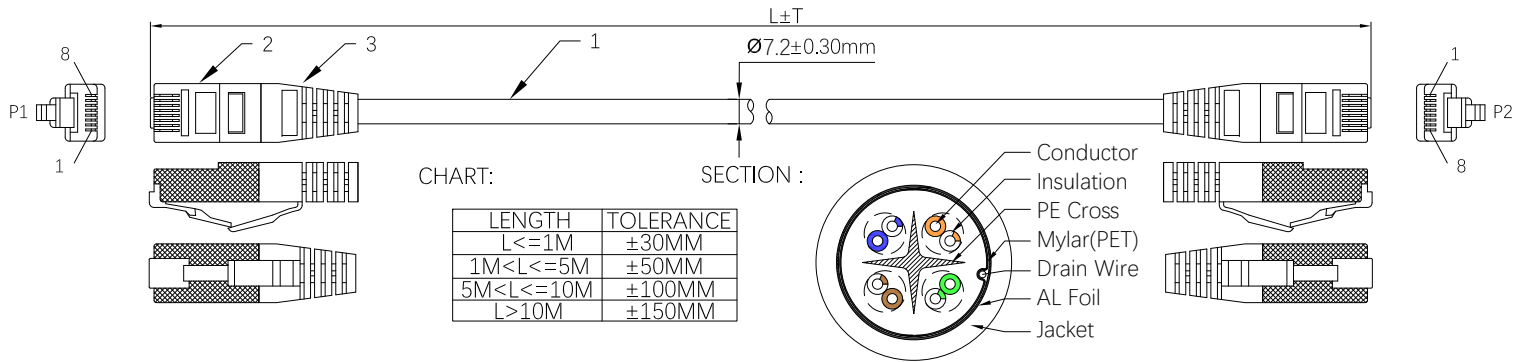
Boot Type B:



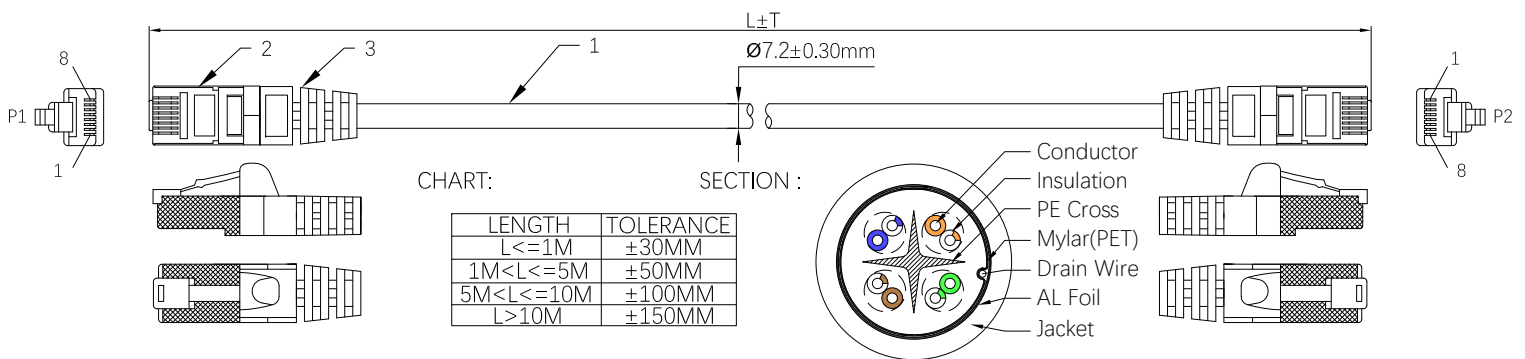
Boot Type C:



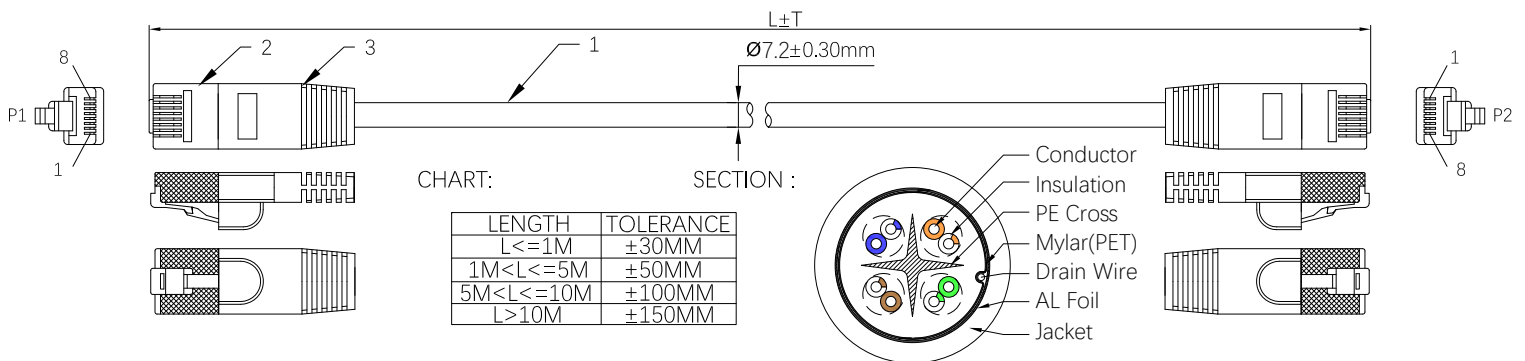
### Boot Type D:



### Boot Type E:



### Boot Type F:



### Boot Type O:

